

Please read warranty and refund policy before starting.

Also please watch our instruction video at

[www.bullpupunlimited.com/video-instructions](http://www.bullpupunlimited.com/video-instructions)

Also remember to start all screws by hand so they do not cross thread.

If you have any questions please feel free to contact us through the web site or at

[bullpupunlimitedinfo@duo-county.com](mailto:bullpupunlimitedinfo@duo-county.com)

And enjoy

# BULLPUP UNLIMITED, INC

## CONVERSION INSTRUCTIONS Remington 870

Lets your shotgun carry **LIGHT**  
and maneuver **TIGHT**  
without sacrificing any **BITE!**

Here it is...in our opinion the BEST  
dollar-for-dollar bullpup conversion  
you'll find on the market today!

Shotgun with 18.5 inch barrel = 38.25 • 7lbs



Same shotgun with conversion 28.5 • 7.8lbs

**Unit will not fit 3 1/2 inch models or Ribbed Barrel**

Let's get started on your Bullpup!

1. OPEN THE BOX and layout all parts, verify with parts diagram in the carton and that all parts are present.
2. TO DISASSEMBLE the stock and forearm of your Remington 870 please refer to the manufactures instructions.
3. TO ASSEMBLE your Bullpup Unlimited conversions proceed to the step-by-step diagrams that begin on the next page....

REMINDER: Make sure there is no shell in your gun before attempting the conversion!!!

Bullpup Unlimited Inc. P.O. Box 744 Jamestown, Ky. 42602 [www.bullpupunlimited.com](http://www.bullpupunlimited.com)



## Conversion model for: Remington 870 Shotgun

THIS IS A BULLPUP SHOTGUN STOCK "BPU-870" MADE EXCLUSIVELY TO FIT YOUR **REMINGTON 870 SHOTGUN**. NOW YOU CAN TAKE YOUR REMINGTON 870 AND CON-VERT IT TO A BULLPUP CONFIGURATION YOURSELF IN LESS THAN AN HOUR WITH NO GUNSMITHING REQUIRED!

THIS PATENT PENDING PRODUCT MEETS 922R COMPLIANCE AND INCLUDES AN INSTRUCTION MANUAL FOR ASSEMBLY.

### Terms & Conditions

Bullpup Unlimited, Inc. is not responsible for any subsequent damages upon person or persons, or real property, by the use or misuse of our products.

#### **30 Day, Money Back Guarantee:**

Bullpup Unlimited, Inc. guarantees that if up to 30 days after the shipment date of your order and you aren't happy you may return it for a full refund, minus shipping, pending the product returned is in as-new condition (uninstalled). Note that this is only good for one conversion/item. When a customer orders multiple conversions and opens them all, the customer can only receive a refund for one of them. All other conversions ordered must be unopened to be eligible for refund.

#### **Limited Lifetime Warranty:**

Bullpup Unlimited, Inc. warrants that its stock parts are free from defects in materials and workmanship for use under Bullpup Unlimited recommended loads, usage, conditions, and competent supervision and maintenance. The internals of the kit are warranted for life. This warranty does not apply to goods subjected to any use for which the goods were not designed, or for any defect caused partially or wholly by any negligence, recklessness, modifications or accident after the sale. There are no implied or express warranties which extend beyond the limited warranty.

#### **Ordering:**

All orders are required to be placed through our website. Dealers or any customer wishing to place an order for multiple units must contact Bullpup Unlimited for additional instructions and information regarding quantity discount options. We will not be accepting call-in orders. Bullpup Unlimited, Inc. retains the right to: change quantity of items available without notice; stop taking orders without notice; cancel orders for any reason we determine as necessary; change price of items without notice.

#### **Shipping:**

Bullpup unlimited, Inc. ships solely through UPS ground at this time. Insurance for any and all items ordered from Bullpup Unlimited is the responsibility of the customer. If you would like an exception in the shipping carrier, please contact us with your request; however, it is at Bullpup Limited's discretion if a different shipping request is acceptable. If applicable, orders shipped to Alaska or Hawaii will ship the UPS best method available at the time of the order to save on shipping cost and time. All other warranties, expressed or implied, that are not contained herein, including the implied warranty of merchantability, are disclaimed.

#### **Exclusive Remedy:**

Bullpup Unlimited, Inc. sole and only obligation, indirect or otherwise, to the buyer or end-user of our goods is expressly limited to replacement or repair, at the option of Bullpup Unlimited at its facility, of any goods returned to it with all transportation charges to and from Bullpup Unlimited prepaid by the customer. Upon the occurrence of any event which the customer believes obligates Bullpup Unlimited to repair or replace any goods, the customer must immediately notify Bullpup Unlimited, in writing or by e-mail, so it can perform a warranty determination. After receipt of the parts or components involved, Bullpup Unlimited will perform a warranty determination to ascertain if the stated warranty applies and notify the customer in writing within a reasonable time. In no event shall Bullpup Unlimited be liable for any damages or delays of any kind caused by postal strikes, nuclear war, natural disaster, accidents, or other events or causes which are unavoidable or beyond the control of Bullpup Unlimited. It is the buyer's responsibility to maintain up-to-date information on legality in their area of any items offered for sale.

#### **Privacy Statement:**

Any and all information collected from your order will be kept private. In no shape or form will any of your personal contact information be passed on to any third parties

ALWAYS use proper ammunition as specified by the manufacturer for your particular weapon.

ALWAYS keep the gun pointed in a safe direction. NEVER point a gun- loaded or unloaded- at anything you are not aiming at and are not prepared to shoot. Your first action upon picking up a firearm should always be to check whether it is loaded.

ALWAYS assume every gun is loaded and ready to fire until you personally establish that it is not. Know how to check any firearm to establish whether it is loaded. Know how to clear ( this involves making sure the firing chamber and the magazine or cylinder are unloaded) any firearm you touch. NEVER rely on someone else's word that a gun is unloaded. CHECK IT YOURSELF.

ALWAYS keep a firearm unloaded until it must be ready for immediate use. Only loaded firearms can discharge accidentally and cause any harm.

ALWAYS carry any firearm pointed in a safe direction while it is being handled, due to the possibility of accidental discharge, ESPECIALLY when you are loading, unloading or operating any mechanism of the gun. This is when most accidental discharges occur. Never let the gun point at you or others when you are manipulating its parts at any other time.

NEVER rely on any mechanical safety or transfer bar. Mechanical devices can break or fail. FIREARM SAFETY DEPENDS ON YOU, THE USER. No safety mechanism can prevent accidental discharge if it has been damaged by misuse or abuse, or is otherwise not properly functioning.

NEVER shoot at a hard surfaces, water, or randomly into the sky. Always select a place to shoot that has a safe backstop and is free from obstructions and watery surfaces which could cause ricochets. There is no way to predict where a ricocheted bullet will go.

ALWAYS check the bore (inside the barrel) for obstructions BEFORE you load the firearm or whenever there is any reason to expect that a blockage may have occurred. NEVER attempt to check the bore without first unloading and disassembling the firearm to a non-functioning state. Firing any firearm with a barrel obstruction can lead to serious injury or death. Keep the bore free from rust and corrosion. Rust and corrosion can cause a sufficient obstruction to generate extreme overpressure upon firing, which may result in possible structural failure or serious injury to the shooter or bystanders.

ALWAYS wear proper safety- rated ear and eye protection when shooting. Ear protection reduces the cumulative and permanent hearing loss that results from unprotected exposure to gunfire. Use of impact resistant shooting glasses might protect your eyes and many circumstances where injury would result without them.

ALWAYS make sure all other persons are safely to the rear of the shooter and are wearing ear and eye protection as well as when discharging any firearm.

ALWAYS cease firing immediately if you have a misfire or notice any unusual sound or recoil while discharging the firearm. Unload the firearm and check the barrel bore for obstruction before resuming firing. A misfire can result in a barrel obstruction which is extremely dangerous.

ALWAYS be sure of your target and what is beyond it. Always insure that there is a safe 'field of fire' and that your bullet will stop behind your target. You may miss the target. Be sure there is nothing you DON'T want to hit in the direction you are shooting. Bullets can glance off many services and travel in unpredicted directions with considerable velocity.

NEVER cross obstacles such as fences or streams with a loaded firearm. Always make certain your firearm is unloaded before navigating any obstacle, including but not limited to crossing a fence, climbing a tree, jumping a ditch, etc.

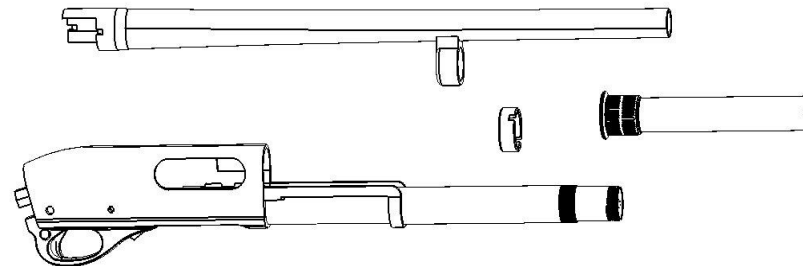
ALWAYS hold our carry your gun so that you can control the direction of the muzzle if you fall or stumble. Dropping guns or allowing an impact to a loaded gun accounts for many accidental discharges.

NEVER pull a gun toward you by grabbing its muzzle. If the gun accidentally discharges, it will be pointed at you.

NEVER mix any alcohol or drugs with shooting, including using alcohol or drugs before shooting. Never use your firearm if you are on any medication which impairs, even slightly, your mental or physical ability. It is unsafe and just plain stupid.

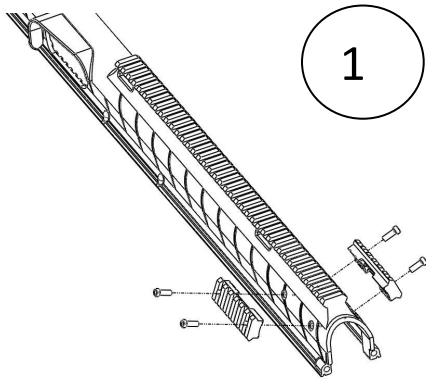
NEVER allow a firearm to be used by individuals who do not understand its safe operation or have not read the firearm's instructions and safety rules.

NEVER leave an unattended gun loaded. EVER. Store unattended guns unloaded and locked in a secure, clean, dry place. ENSURE that unattended guns are beyond the reach of children, or any other unauthorized user. Keep guns stored separately from ammunition. YOUR gun is YOUR responsibility.



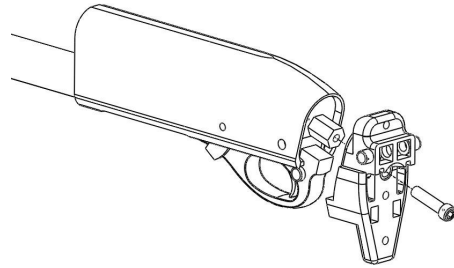
After removing the stock and forearm as per manufactures instruction, your shotgun should look like this.

**Firmly tighten all screws but do not over tighten**



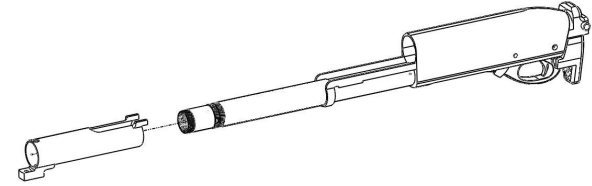
1

After taking the short side rails (32) out of the package install one per side on the upper shroud as shown using bolts (12). Then lay the upper shroud aside .



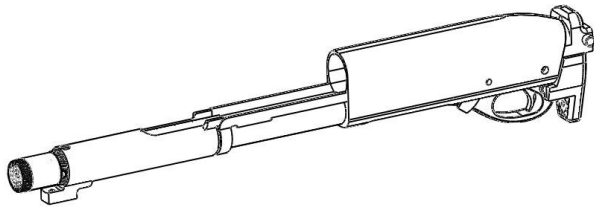
2

Take the adapter block (36) and place it on the rear of the receiver of the shotgun, using the bolt (6) provided then install.



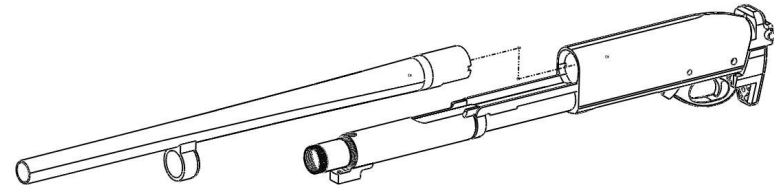
3

Slide the forearm slide tube (46) over the forearm slide making sure that the two tabs are pointed up and to the rear, make sure that the fingers go inside the action bars



4

Once in this position reinstall the forearm nut and hand tighten, do not over tighten.

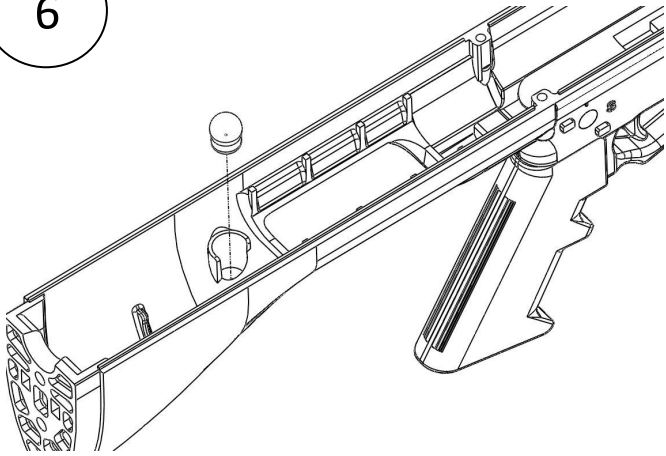


5

At this point reinstall the barrel.

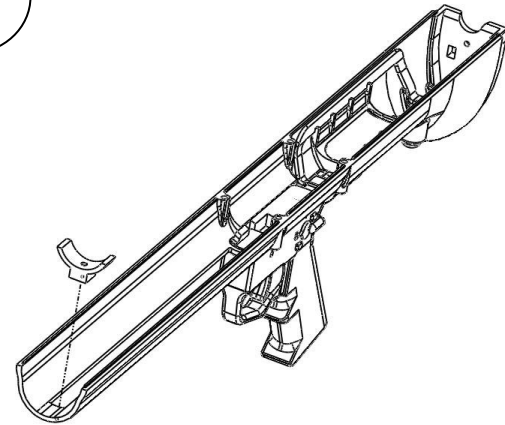
**Firmly tighten all screws but do not over tighten**

6



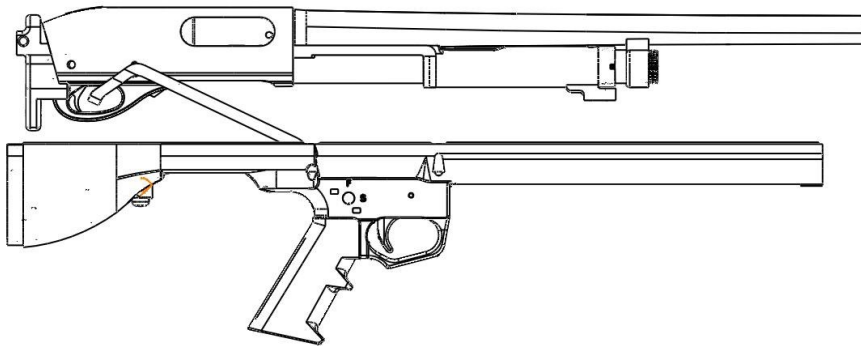
Install the slide release ball (43) with the small end down.

7



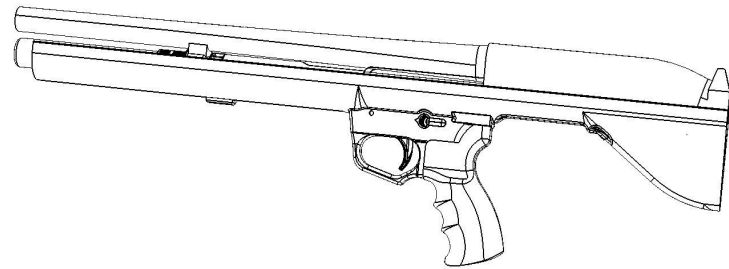
Install the forearm guide(47) into the slot in the bottom of the lower shroud.

8



Take the lower shroud and lay it on a table, place your shotgun directly above your lower shroud. lift up the trigger rod and place inside the trigger guard of the shotgun, then lowered the shotgun into the lower shroud making sure the adapter block lines up with the pocket in the rear of the lower shroud.

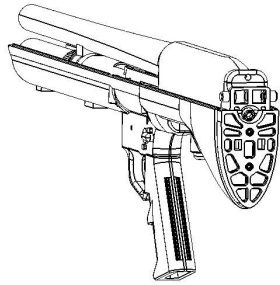
9



Your unit should now look like this

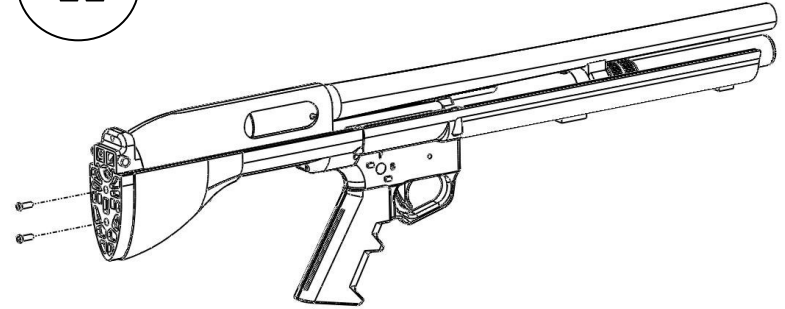


10



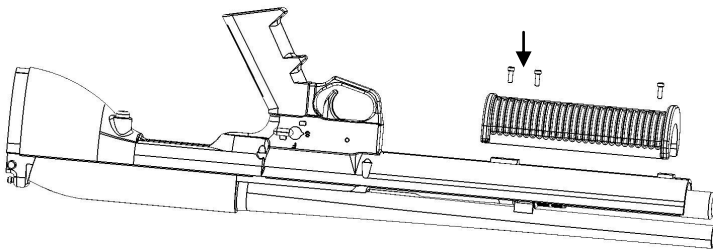
After your shotgun is installed into the lower shroud look at the rear and the bottom two inserts in the adapter block, should line up with the bottom two holes in the lower shroud.

11



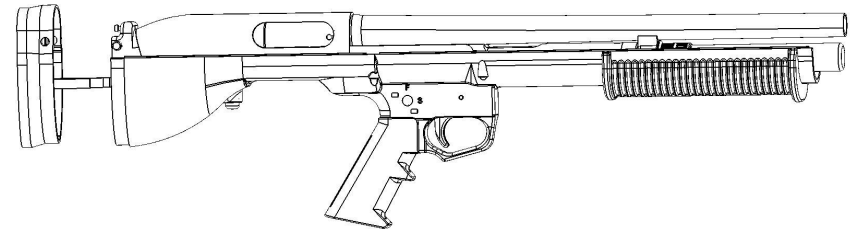
At this time install two of the button head screws(10) into the lower shroud

12

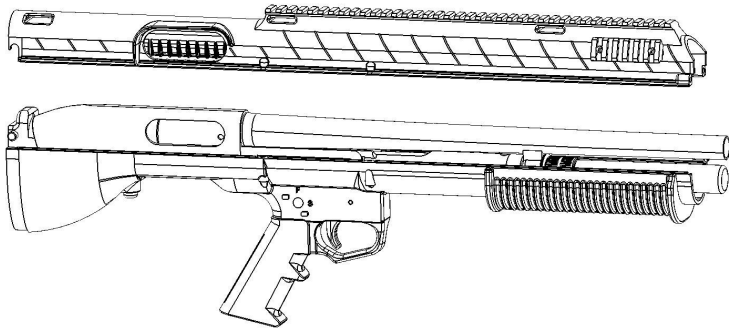


Turn the unit upside down and take your forearm (48) and line up the two rear holes with the inserts in the forearm slide tube. also line up the front hole in the forearm with the insert in the forearm guide, install all three screws , Back 2 are Button Head (10) front is (12).

13

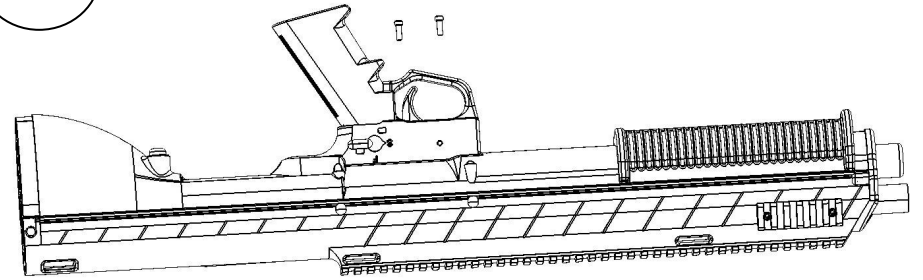


Next Conduct a function test, temporarily install the rear end cap (34) into the alignment holes in the lower shroud making sure that both rear detents on the lower shroud lock in place. At this point cycle your shotgun making sure the slide release ball, trigger and safety are all functioning properly. Then remove the rear end cap by depressing the two detents and pulling rearward.



14

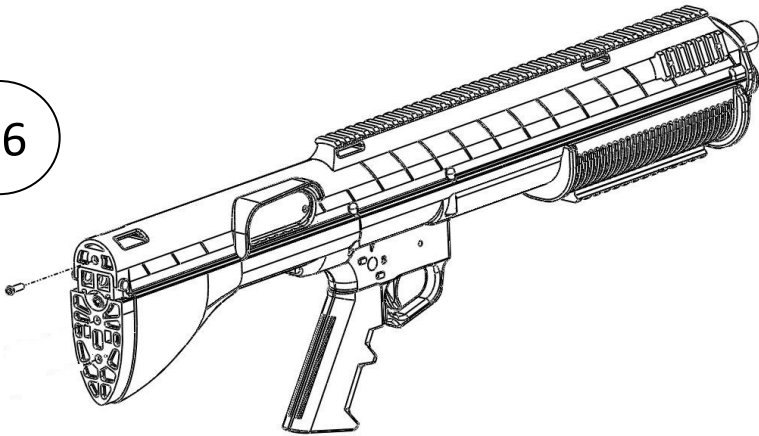
15



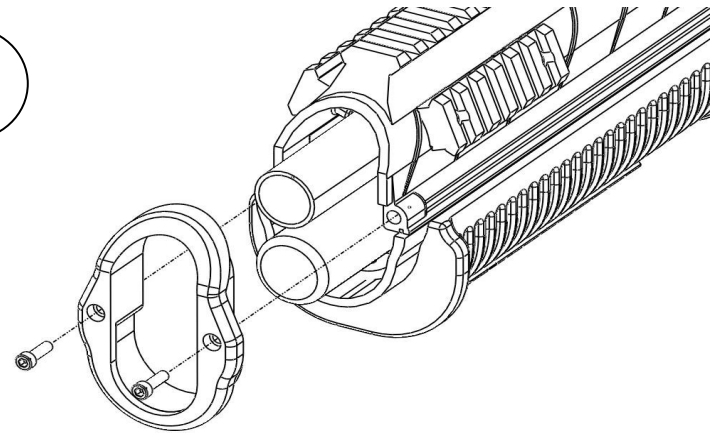
At this point place the upper shroud (30) on top of the lower shroud aligning ejection port opening with the ejection port on the shotgun.

When you have the front and rear attached turn the unit upside down and install the four, 1 inch screws (8) in the middle (two on each side)

16



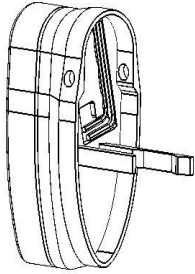
17



With the upper shroud in place make sure that the attachment hole in the upper shroud lines up with the insert in the adapter block, at this time install the third button head screw(10).

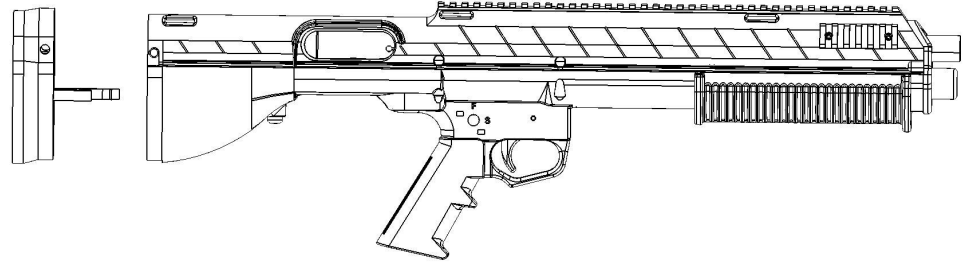
Next slide the front end cap (33) over the barrel and magazine tube, take your hand compressing the upper and lower together and slide the front end cap into place making sure the holes in the end cap lineup with the inserts in the upper shroud, at this time install the two screws (12). If your barrel has rifle sights you may have to slide on the end cap at an angle.

18



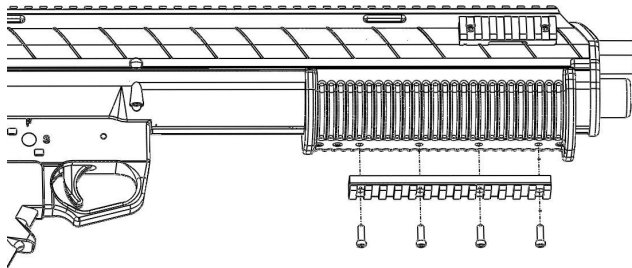
At this point store the two small allen wrenches( 3,4) into the inside the rear cap in the space provided.

19

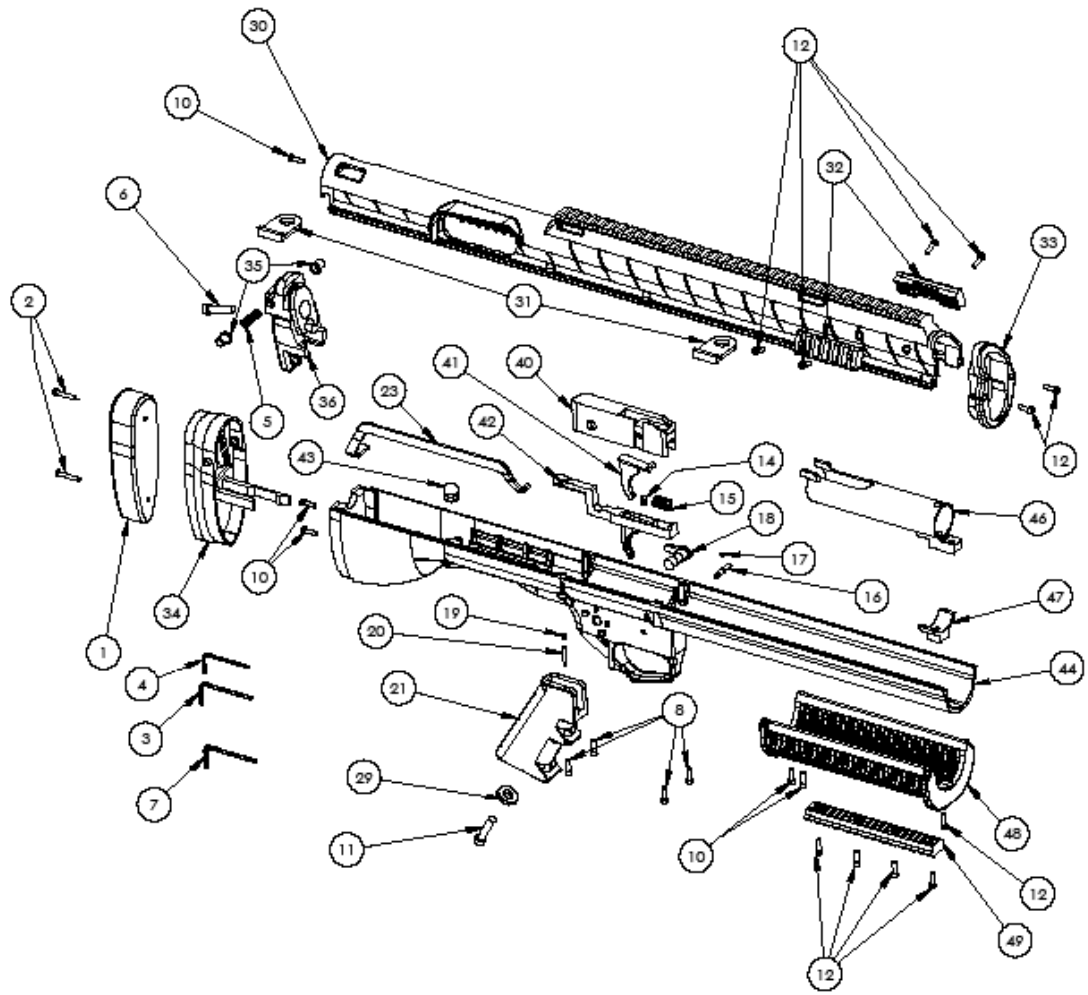


At this point reinstall the rear end cap making sure the detents lock in place. Your conversion is now complete. ( conduct another function test).

20



To install the accessory forearm rail (49)placed the unit upside down, align the four holes in the accessory rail with the four inserts in the forearm and install screws (12).



## Parts Diagram for the Remington-870 Kit

Item No.	Part Name	Quantity	Order No.	Item No.	Part Name	Quantity	Order No.
1	recoil pad	1	BPU-001	23	transfer rod	1	BPU-023
2	recoil pad screw	2	BPU-002	29	pistol grip washer	1	BPU-029
3	hex wrench 7/64	1	BPU-003	30	upper shroud	1	BPU-030
4	hex wrench 3/32	1	BPU-004	31	sling mounts	2	BPU-031
5	detent spring	1	BPU-005	32	side accessory rails	2	BPU-032
6	screw 1/4-28x1	2	BPU-006	33	front cap	1	BPU-033
7	hex wrench 3/16	1	BPU-007	34	rear cap	1	BPU-034
8	screw 8-32x1 1/4	4	BPU-008	35	detent	2	BPU-035
10	screw Button head 8-32x1/2	5	BPU-010	36	rear mounting block	1	BPU-036
11			BPU-011	40	trigger block	1	BPU-040
12	screw 6-32-3/8	11	BPU-012	41	safety trigger	1	BPU-041
14	spring safety trigger	1	BPU-014	42	trigger	1	BPU-042
15	spring trigger	1	BPU-015	43	slide release ball	1	BPU-043
16	pin	1	BPU-016	44	lower shroud	1	BPU-044
17	clip	1	BPU-017	46	forearm slide tube	1	BPU-046
18	safety lever	1	BPU-018	47	forearm guide	1	BPU-047
19	detent	1	BPU-019	48	forearm	1	BPU-048
20	detent spring	1	BPU-020	49	forearm accessory rail	1	BPU-049
21	pistol grip	1	BPU-021				